



These instructions contain important information which is required when using this product for the first time. Please ensure you read all the following information carefully before first use. Please retain this information for future reference.

### Note:

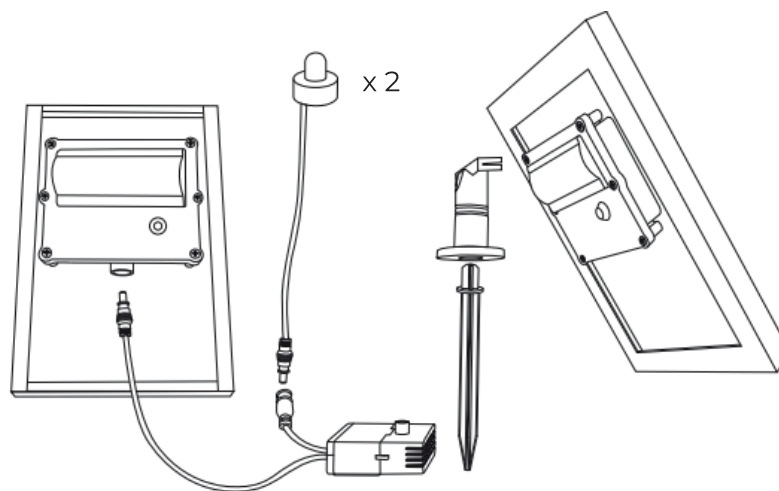
1. **Charge the solar powered pump unit for a minimum of 1-2 days before it is used for the first time.**
2. **The LED lights will only work when it is dark. To test them during the day, turn the solar panel upside down and minimize exposure to sunlight.**
3. **The LED lights have been pre-assembled in the fountain body and cannot be removed.**

## 1 OVERVIEW

The solar powered pump is designed for use with the accompanying fountain only. For outdoor use only. In order to make the pump work, the solar panel requires direct sunlight. When there is sufficient sunlight, the pump will start to work automatically when switched on. It will stop working when the solar panel does not get sufficient sunlight light. If the fountain is used in the evening, the built-in LEDs will automatically light up to enhance the water feature.

## 2 ASSEMBLING AND USING YOUR PRODUCT

- Carefully remove all of the components out of the packaging.
- Fill the fountain with clean water.
- Connect the cable from the pump to the cable at the back of the solar panel, ensuring the connection is secure and tightly fastened by hand.
- Place the pump into the reservoir ensuring that it is fully submerged under the water.
- Place the solar panel in an area where the maximum amount of sunlight is possible.
- Press the on/off switch on the back of the solar panel to turn the pump on.



## 3 WARNING

- For decorative purposes only.
- Keep out of reach of children and animals. Risk of strangulation.
- Keep away from sources of heat.
- Check regularly for signs of wear and tear, discontinue use immediately if damaged.
- Dispose of product accordingly. Individual LED bulbs cannot be replaced.
- Do not allow the pump to run dry.
- Do not lift the pump with the power cord.
- For technical advice consult Festive Light Ltd.

## 4 OPERATING INSTRUCTION

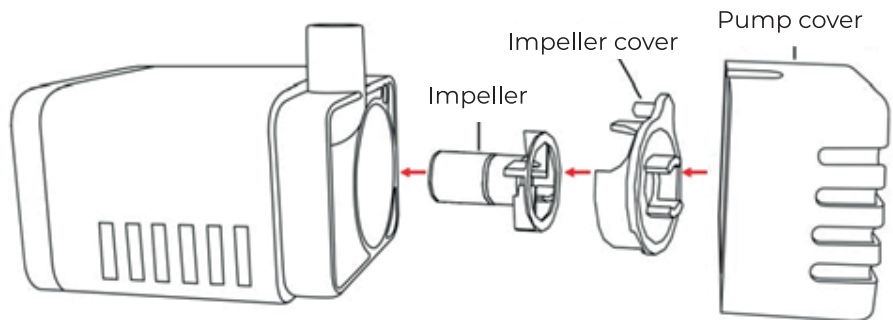
**Turn on the solar mode:** For first time use, press the button to turn the pump on, the pump will run automatically if there is sufficient sunlight/charge. The pump will stop working when light becomes limited and the battery is fully drained. It will automatically begin operating again the next day once it is in direct sunlight (solar mode). For general daily use, it is recommended to check the fountain daily for debris which may damage the pump.

**Stopping the pump:** Press the on/off button to switch the pump into the off position.

**Quick charge the battery:** Under good weather conditions, the solar panel will power the pump and any excess energy will be used to charge the battery. Turn off the pump to aid battery charging, the battery will then continue to charge whilst exposed to sunlight.

**5 CLEANING AND MAINTENANCE**

After prolonged use, the pump may deplete in power and eventually stop working. To clean, remove the pump and impeller cover, checking for a buildup of sediment, scale, or dirt in the filter. Clean with a damp cloth and avoid any harsh chemicals.



**Solar panel:** The panel should be cleaned regularly with a soft damp cloth only. Do not use chemical, solvent, or abrasive cleaning materials. Regular cleaning of the panel is advised to maintain optimum performance.

**6 TROUBLESHOOTING**

The solar panel does not operate even though the solar panel is in full sunlight.

- Check connections to the solar panel to be confident they're secure.
- Impeller is blocked. To clean, remove the pump and impeller and use a small soft brush, or run under a tap to remove any debris.
- The pump operates but no water is running through the fountain. Check for a buildup of debris in the tubes/filter and clean thoroughly.

**7 STORAGE**

Please charge the battery for 1-2 days in direct sunlight after a prolonged period of storage. In order to maintain the life of the battery, please charge the solar panel before storing.

Solar Panel:	2W
Solar Pump Operation Voltage:	6V DC
Solar Pump:	0.8W
Water Flow Max.	200 LPH
Water Lift Max.:	0.8M
LED Light	2 LED light
Cable Length	5M
Lithium Battery:	3.7V/2000mAH
Pump Waterproof Rate:	<b>IP68</b>
Panel Waterproof Rate:	<b>IP44</b>

●●●●●●●●  
**Made in China**



UK importer: Festive Lights Ltd, Preston Road, Charnock Richard, Chorley, Lancashire, PR7 5HH  
 EU importer: Festive Lights BV, Utrechtseweg 341, 3818 EL Amersfoort, Netherlands