

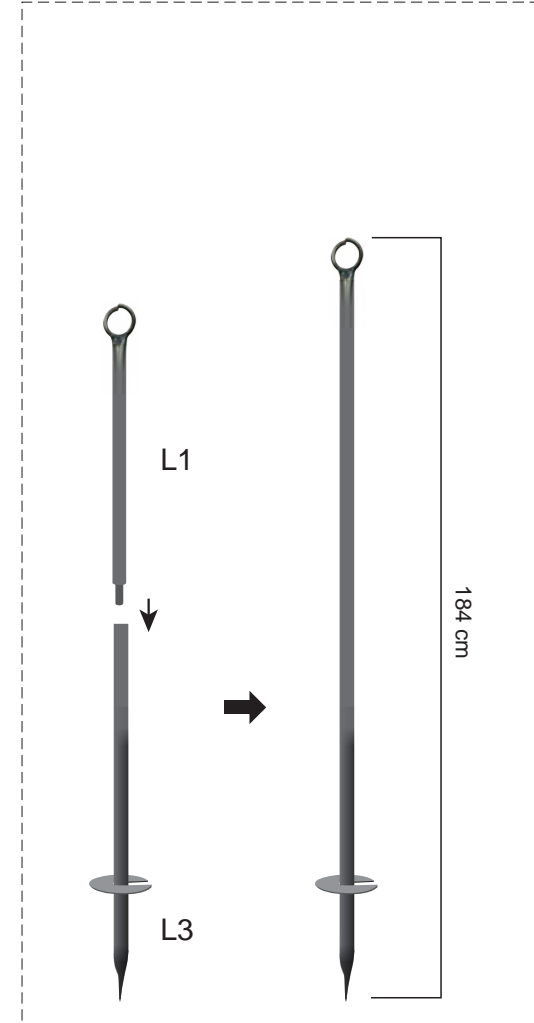
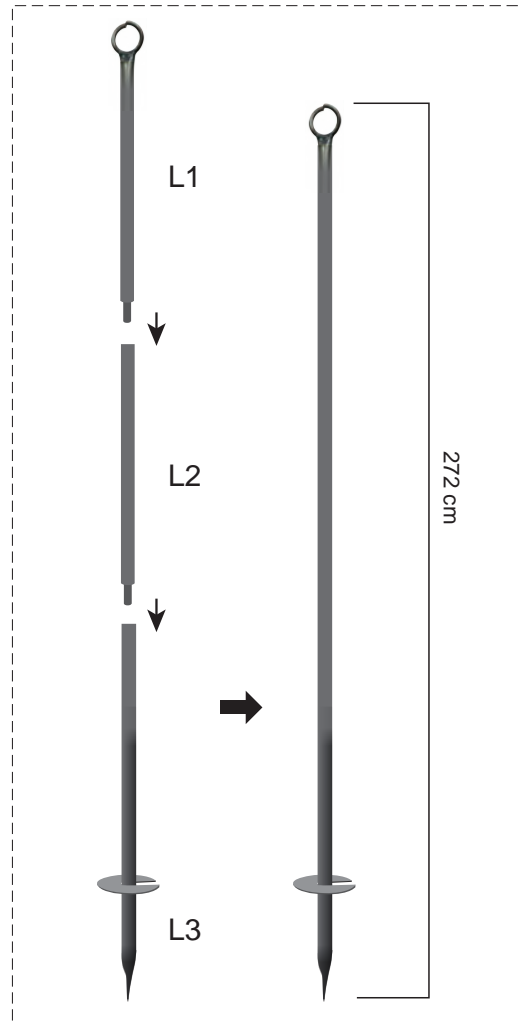
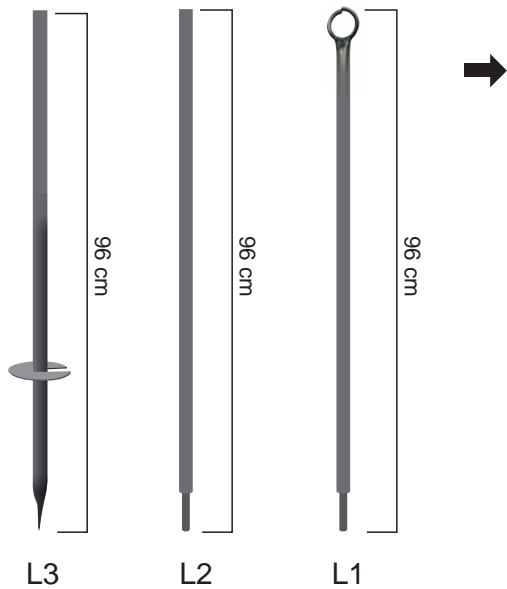
# 2.4m Steel Festoon Pole

## Outdoor use



- The festoon poles must be taken down for storage during adverse weather conditions (such as high winds)
- The weight on the festoon poles must be evenly spread to ensure full lateral support
- At 2.4m height, the poles should be spaced at intervals of 3m
- At 1.8m height, the poles should be spaced at intervals of 5m

### Contents:



This product comes with a 12 month manufacturer's warranty against failure to all parts. If you have a warranty claim, please use the contact details below. For any technical information relating to this product, please email Festive Lights Ltd on [contact@festive-lights.com](mailto:contact@festive-lights.com). We aim to respond within 2 working days. Alternatively, please contact our help line on +44 (0)1257 792111. This service is available between 9.00am-5.00pm Monday to Friday.